

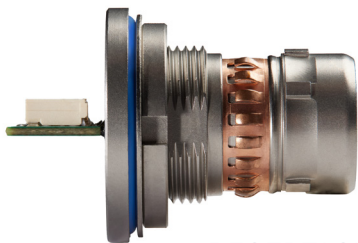


a HEICO Company

CMA USBC Series

HIGH SPEED DATA TRANSMISSION
USB-C COMPATIBLE
EMI / RFI PROTECTION
USB3.2 GEN2

Reliable data transmission
for ruggedized equipments



RECEPTACLE



PLUG

Possibility to add a rugged
plug shell and backshell over
any standard USBC cable

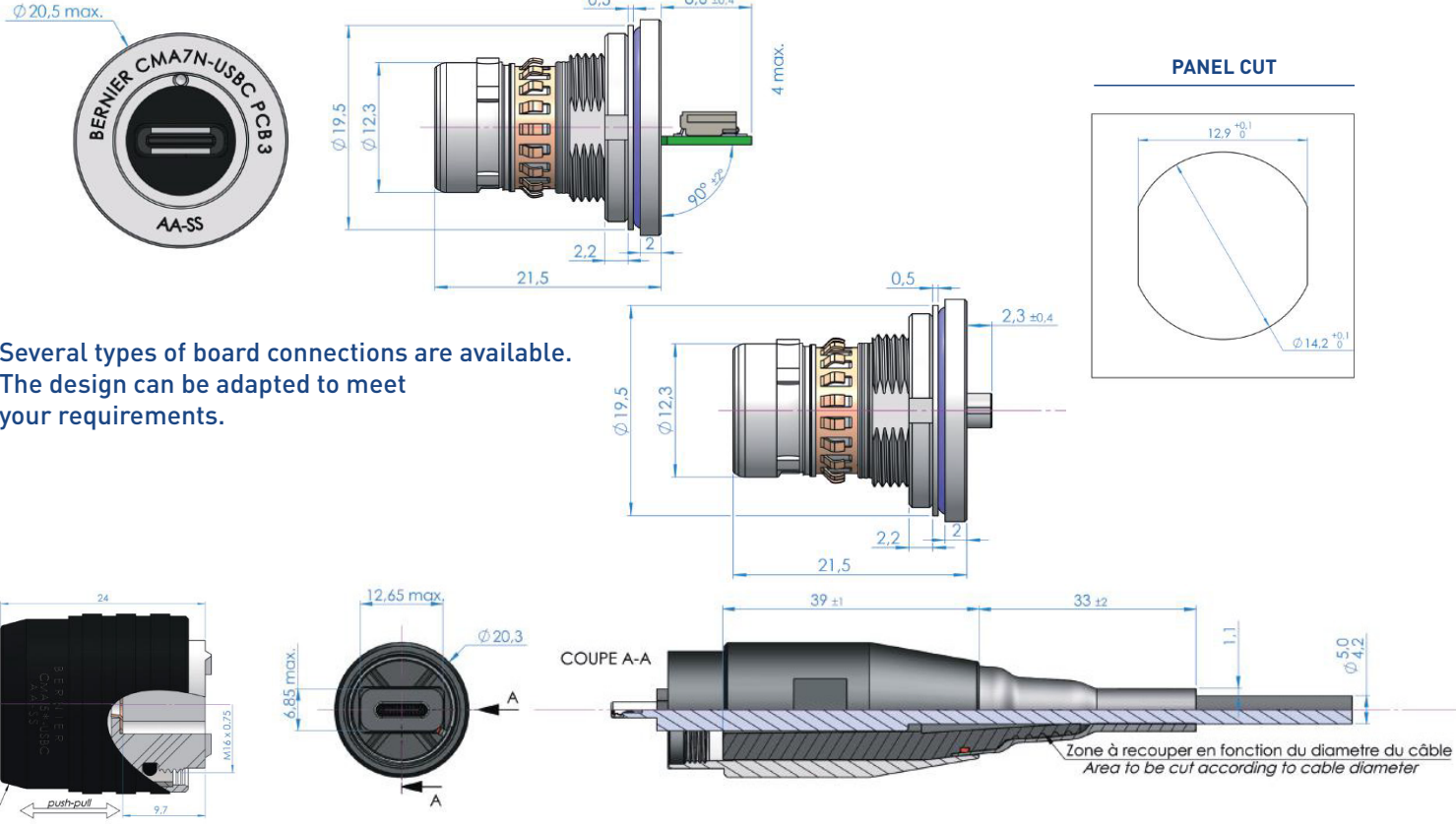




CMA USBC Series

BERNIER

MAIN DIMENSIONS



Several types of board connections are available.
The design can be adapted to meet your requirements.

TECHNICAL CHARACTERISTICS

MECHANICAL AND CLIMATIC CHARACTERISTICS

Locking
Push-pull

Operating temperature
-55°C +125°C (plug type 5)
-40°C +85°C (receptacle type 7)

Nbr of mating-unmating cycles
Up to 10 000 cycles
(depends on USB-C cable)

Sealing
IP68 1m connected and disconnected

Corrosion resistance (Salt spray)
Stainless steel : 96 hours

Fluid resistance
Hydrocarbon and oils

ELECTRICAL CHARACTERISTICS

Nbr. of contacts
1 USB-C

Operating voltage
30V max

Current rating per contact
A4,B4,A9 and B9 : 5A max
others : 0,25 A max

Contact resistance
≤ 50 mΩ

Insulating resistance
> 100 MΩ

Dielectric strength
100 Veff at/à 50 Hz for 1 min

EMI RFI Protection
Yes

MATERIALS

Connector shell
Stainless steel

Connector shell plating
Sandblasting with passivation

Coupling ring
Black passivation

Insert
Thermoplastic and epoxy resin

Contacts
Copper alloy
plated with gold over nickel

Shielding ring
Beryllium copper

