



360L6 Serie

Avionic Connector



360L6

... the best connection for On Board communications !

Catalog



◆ Description

The function of this connector is to provide electrical connections between the pilot's headset and the aircraft equipment and also between the technician's headset and the aircraft. The 360L6 serie fits on aircrafts and helicopters, both civil and military, and provide all types of on board connections and external connections.

DASSAULT specification N°975B.



◆ Applications



Radios



Accessories



Intercoms

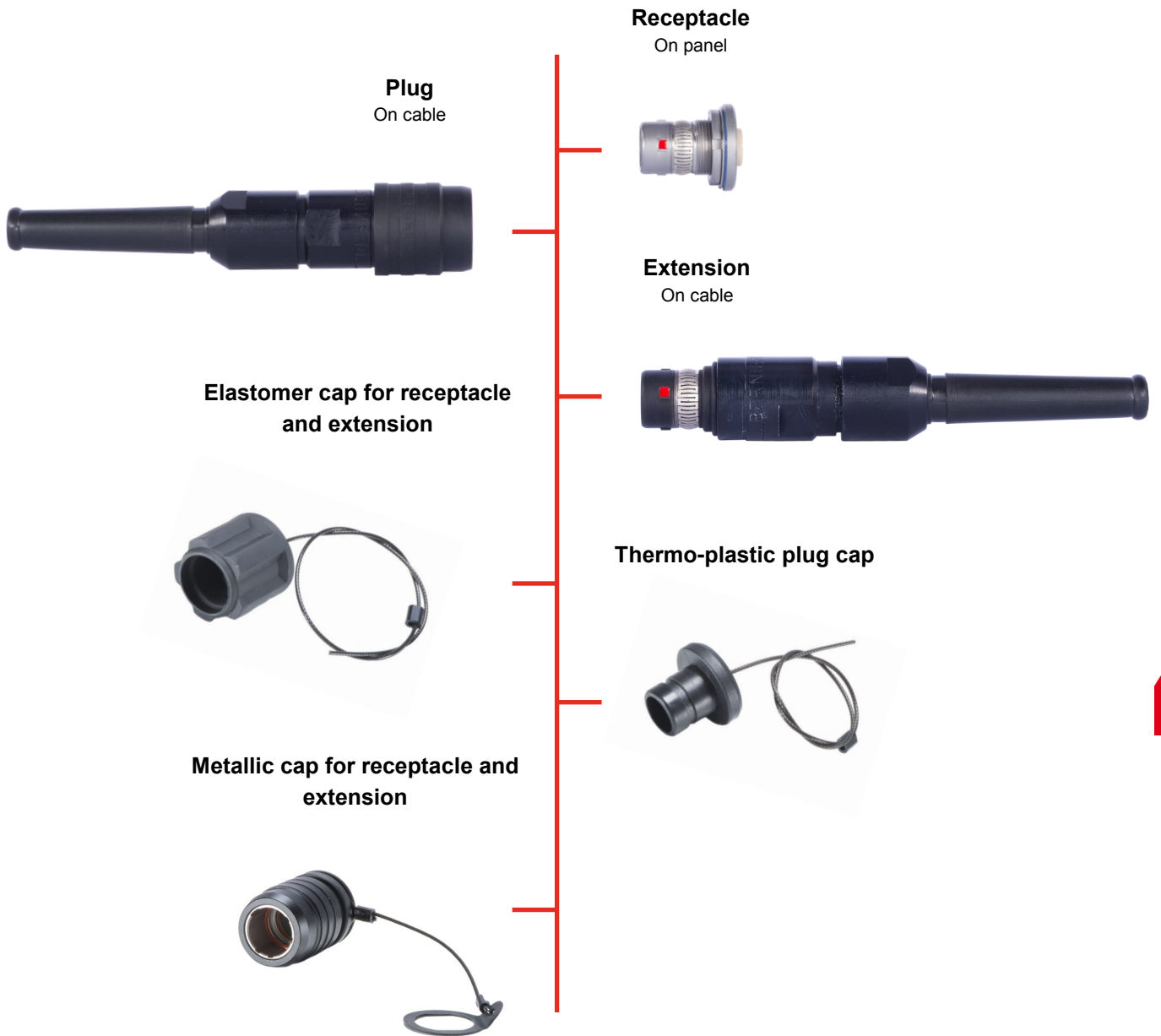
◆ Specific Designs

360L6 connectors are appreciated for their flexibility to fit customer specifications. Our Design team is able to propose versions answering to your needs. Reinforcements can be applied in case of use in harder climatic, ergonomic and electromagnetic conditions. Caps and backshells can also be improved to bring a better ergonomics on your configuration.

360L6 standard receptacles are equipped with a ground ring giving a high EMC level. This function developed by Bernier brings a better continuity between the connectors shells and a protection on 360°



Ground ring 360°



360L6

◆ Climatic and mechanical characteristics

	360L6 Serie
Unlocking system	Push-Pull
Operating temperature	-55°C at +125°C
Endurance	1500 Operations
Sealing performance	IP68 (connected)
Contact protection	100% scoop-proof
Vibration and shock	Vibration : N=4000, 40g Shock : N=12, 100g.
Corrosion resistance	Salt fog : 96 hours (Stainless steel)
Fluids resistance	Oils and hydrocarbones

◆ Electrical characteristics

	360L6 Serie (10 contacts)
Working voltage	500 V _{eff} at 50Hz
Current rating per contact	8 A _{max}
Gauge (AWG)	20
Contact type	To be crimped
Contact resistance	≤ 10 mOhms at 25°C
Insulation resistance	≥ 5000 MOhms
Crosstalk on mated connectors	60dB from 10 kHz to 100MHz.

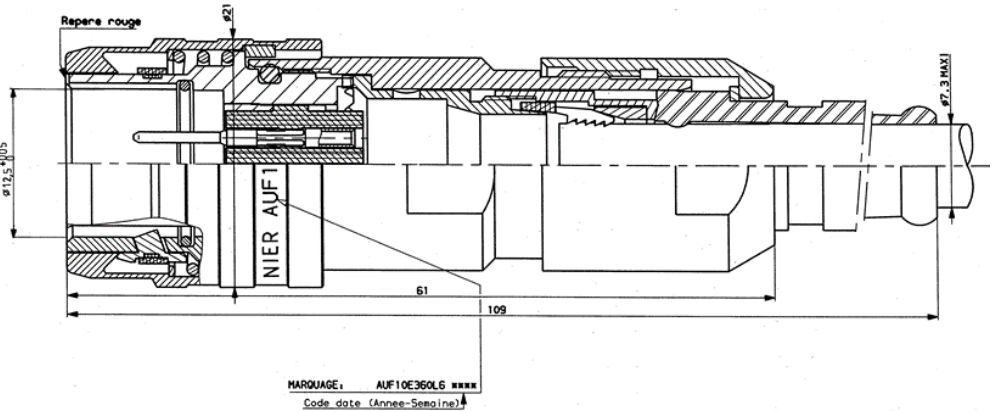
360L6

◆ Material and plating

	Material	Plating
Connector shell	Stainless steel	Sandblasting Black chrome
Insulator	PEEK	-
Contacts	Copper alloy	Gold over nickel
Backshell shell	Aluminium	Black anodization
Ground ring	Beryllium copper	Nickel

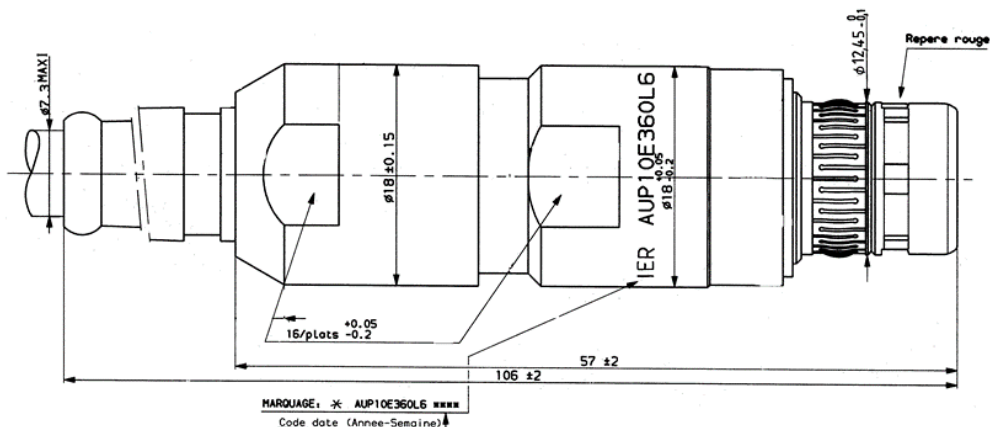


◆ Push-Pull plug with contacts to be crimped



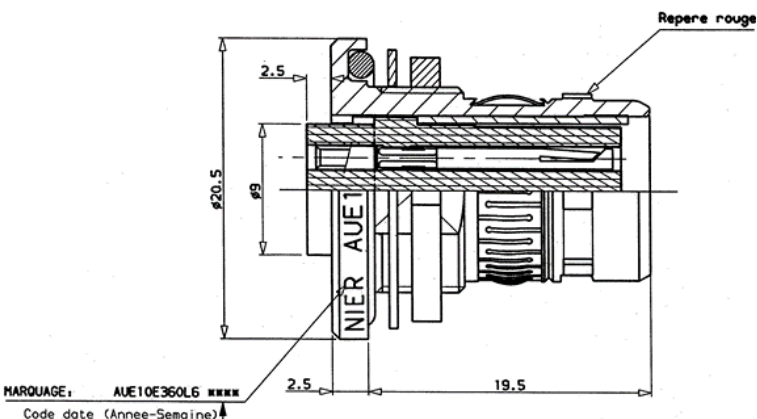
Ex: AUF10E360L6

◆ Extension with contacts to be crimped



Ex: AUP10E360L6

◆ Receptacle with contacts to be crimped



Ex: AUE10E360L6

360L6

All caps from the CMA serie fit to the 360 connectors

◆ Caps for plug



Ex: CMA BA06MC-200ST

	Thermo-plastic Watertight IP67	Metallic black Watertight IP68/EMC
Ferule*	CMA BA06MC-200ST	CMA BA65MC-200ST
Plastic clamp	CMA BA06MC	-

* the ferule is delivered separatly in order to fix the right length during cabling.

Stock cap
CMA BASFIL



◆ Caps for receptacle and extension



Ex: CMA BA94MC-200ST



Ex: CMA BA100N 10.14MCEM

	Elastomer Watertight IP68	Metallic Watertigh IP68/EMC
Ferule*	CMA BA94MC-200ST	CMA BA 100MC-200ST
Plastic clamp	CMA BA11MC	-
Metallic ring	CMA BA86-35MC	CMA BA100MCEM
Crimped eyelet for M3 screw	CMA BA98MC	-
90° Crimped eyelet for M3 screw	CMA BA81MC	-
Eyelet for M3 screw	CMA BA91MC	CMA BA100MC

* the ferule is delivered separatly in order to fix the right length during cabling.

Stock cap
CMA BA20



◆ Terminations

Some terminations can accept several lanyards

Plastic clamp



Ferule



Metallic ring



Eyelet for M3 screw



Crimped eyelet for M3 screw



90° crimped eyelet for M3 screw



◆ Accessories

Type	Part number
Set of 12 male contact to be crimped dia 0.90	11509
Set of 12 female contact to be crimped dia 0.90	11510



11509



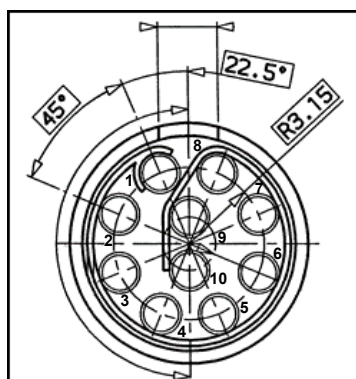
11510

◆ Contact and wire size

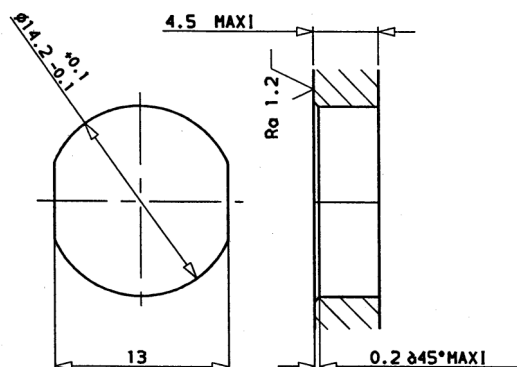
Contact size (diameter)	I (A)	R (m)	Possible wires cross section in mm ² - AWG	Possible wires Insulator Diameter Max
0.9	5	8	0.51—20 Max	1.65

◆ Contacts positions

Vue from cabling side



◆ Panel cut



◆ Tools

Type	Part number
Ergot key	DIN.18 10 B
Male and female contact removal tool	JBX OUT DC 09
Female contact positioner	JBX 2 OUT LS 09
Male contact positioner	JBX 3 OUT LP 09
Contact tool frame diam. de 0.7 à 0.9 et 1.3 mm	M22520/7-01
Plug clamp	SXOL6160B7
Receptacle clamp	SXOL6180B7
Tightening key for the receptacle nut	B703



DIN.18 10 B



M22520/7-01



JBX 2 OUT LS 09



JBX 3 OUT LP 09



B703



SXOL6160B7



SXOL6180B7

360L6

◆ Tightening key

Torque for the receptacle nut	Torque for the backshell mounting
9 N.m	6 N.m

◆ Weights

Part number	Weight (grams) Max
AUE10E360L6	19gr
AUF10E360L6	47gr
AUP10E360L6	34gr

CMA Serie
Push-Pull / Quick-Releaseable Connector

... For an optimum data transfer in harsh environments !

Catalog

Revised 23-JUNE-2016
www.bernier.tm.fr

CMASD Serie
Push-Pull Connector

... Toughness and reliable high speed data transfer in small dimensions !

Catalog

Revised 10-JUNE-2016
www.bernier.tm.fr

CMALD Serie
Push-Pull and Quick-Releaseable Connector

... Toughness and Ergonomics allied with a high contact density configuration !

Catalog

Revised 10-JUNE-2016
www.bernier.tm.fr

MMC Serie
Compact Quick-Releaseable Connector

... for a robust and ergonomic high-speed data connection !

Catalog

Revised 10-JUNE-2016
www.bernier.tm.fr

PAM Serie
Bayonet Connector

... the good connection for your tactical equipments !

Catalog

Revised 23-JUNE-2016
www.bernier.tm.fr

55116 Serie
Bayonet Connector

... The Crypto and Audio communication standard !

Catalog

Revised 23-JUNE-2016
www.bernier.tm.fr

221 Serie
Quick-Releaseable Connector

... Easy use and communication reliability in operation !

Catalog

Revised 23-JUNE-2016
www.bernier.tm.fr

POW Serie
Power Connector

Catalog

Revised 10-JUNE-2016
www.bernier.tm.fr

360L6 Serie
Avionic Connector

... the best connection for On Board communications !

Catalog

Revised 23-JUNE-2016
www.bernier.tm.fr

B600 Serie
Quick-Releaseable Connector

... Secure connection for light vehicles !

Catalog

Revised 23-JUNE-2016
www.bernier.tm.fr

JCC Serie
Jack Connector

... For a basic but secured connection on communication equipments !

Catalog

Revised 23-JUNE-2016
www.bernier.tm.fr

U Serie
Audio Connector

... The Toughest solution for audio applications !

Catalog

Revised 23-JUNE-2016
www.bernier.tm.fr

CCF700 Serie
Coaxial connector

... the suitable connector for cockpit equipments !

Catalog

Revised 23-JUNE-2016
www.bernier.tm.fr

MH Serie
Hexagonal Connector

... suitable for command signals !

Catalog

Revised 23-JUNE-2016
www.bernier.tm.fr

BERNIER Services
Solutions • Operations • Products

... Innovation and Technologies knowledge for your project solution !

Catalog

Revised 10-JUNE-2016
www.bernier.tm.fr

Relays
H • PC16 • MTD

... The right solution for the command of Electrical/Power systems !

Catalog

Revised 23-JUNE-2016
www.bernier.tm.fr

Find more on

www.bernier.tm.fr

This catalogue and its content are BERNIER property, all rights reserved
All information contained in this catalogue can be changed without prior notice
Dimensions in mm